

Technical Leaflet

KBS® Pipe Seal SN

Pipe collar for fire stopping of combustible pipes.

1. Usage

Field of application KBS® Pipe Seal SN is used for sealing plastic pipes and in our KBS® Kombischott (panel seal and mortar seal) systems and as a single pipe penetration seal in fire rated walls and floors.

Electrical installation pipe bundles (occupied or unoccupied) can be sealed off in our KBS® Kombischott (panel seal) systems.

Installation KBS® Pipe Seal SN is used as a mounting collar. Please refer to the application instructions enclosed with each packaging unit and the system descriptions of the KBS® penetration seal systems.

For sound decoupling, a 5 mm thick strip of normally flammable PE (polyethylene) foam may be placed between the pipe and the fire protection inlay of the pipe collar.

2. Product specification


Description KBS® Pipe Seal SN consists of a red painted steel casing with intumescent inlay.

The intumescent compound which has been specifically developed for the use in pipe collars intumesces in fire. By doing so it develops a high foaming pressure and thus closes the pipe preventing the passage of fire and smoke.

The intumescent material used is neither impaired by water nor by carbon dioxide.

Closure: Full-length housing with screw cap.

Product program/sizes The pipe collar is available in 9 sizes:

	Collar type	High	Inner diameter	mounting brackets
	KBS® Pipe Seal SN 50	20 mm	58 mm	3
	KBS® Pipe Seal SN 63	20 mm	71 mm	3
	KBS® Pipe Seal SN 75	20 mm	83 mm	3
	KBS® Pipe Seal SN 90	30 mm	98 mm	3
	KBS® Pipe Seal SN 110	30 mm	118 mm	3
	KBS® Pipe Seal SN 125	45 mm	133 mm	4
	KBS® Pipe Seal SN 140	45 mm	148 mm	4
	KBS® Pipe Seal SN 160	45 mm	168 mm	4
	KBS® Pipe Seal SN 200	100 mm	210 mm	6

Dimension drawing see ETA-16/0214.

Installation note The type of collar and assembly to be used in a given application must be selected on the basis of the respective approval document.

Disposal In accordance with national regulations. See also safety data sheet.

3. Scope of testing and approval

ETA	ETA-16/0214, CE-marked.
EN 1366-3	Tested and classified as pipe penetration seal up to a diameter of 200 mm and for electrical installation pipes, occupied or unoccupied.
VKF-Approval (Switzerland)	Approved as pipe penetration seal up to a diameter of 160 mm.

4. Storage

Storage conditions	Store cardboard boxes in dry environment.
Storage temperature	No limitations.

5. General instructions

Safety precautions	When installing KBS® Pipe Seal SN observe the general rules for safety at work.
Packaging	Cardboard box containing 2 pipe collars.

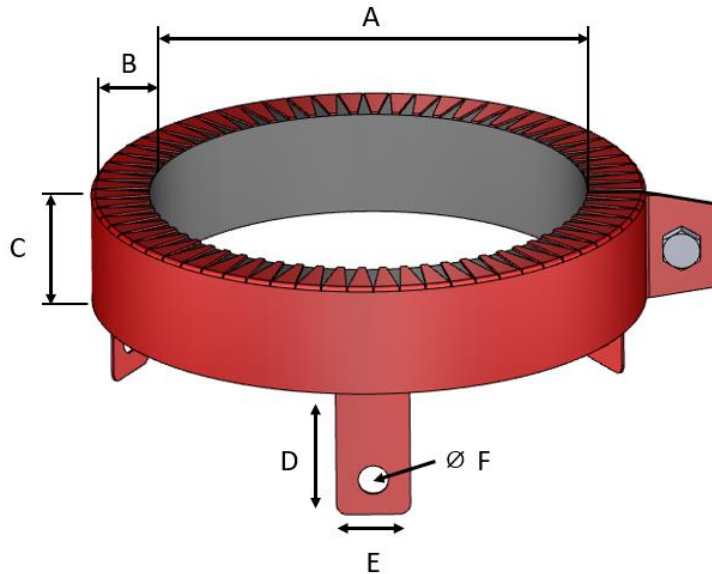
This information and all further technical advice reflect our present knowledge and experience. The purpose is to inform interested parties about our products and their use and should not be construed as guaranteeing specific properties of products described or their suitability for a particular application, nor as providing complete instructions for use. The information implies no guarantee for product and shelf life properties, nor any liability or other legal responsibility on our part. Any existing third-party intellectual property rights, especially patent rights, must be taken into consideration. Application and usage of our products based on our technical advice are beyond our control and are the sole responsibility of the user. The user is not released from the obligation to conduct careful inspection and testing of incoming goods in order to verify the suitability for the intended application. For experimental products we do not guarantee for later commercial availability. Validly existing laws and provisions must be taken into consideration by the recipient of our products. In addition, the currently valid version of our general conditions of sale applies.

KBS®= registered Trademark of Wolman Wood and Fire Protection GmbH



Dimensional Drawing

KBS[®] Pipe Seal SN



Pipe Outer-Diameter	Type KBS [®] Pipe Seal	A	B	C	D	E	F	Number of mounting brackets
[mm]	[-]	[mm]	[mm]	[mm]	[mm]	[mm]	[mm]	[-]
32 - 50	SN 50	58	10	20	35	15	6,5	3
63	SN 63	71	10	20	35	15	6,5	3
75	SN 75	83	10	20	35	15	6,5	3
90	SN 90	98	15	30	35	20	8,5	3
110	SN 110	118	15	30	35	20	8,5	3
125	SN 125	133	20	45	35	20	8,5	4
140	SN 140	148	20	45	35	20	8,5	4
160	SN 160	168	20	45	35	20	8,5	4

KBS[®] = registered Trademark of Wolman Wood and Fire Protection GmbH

Dimensional Drawing KBS[®] Pipe Seal SN | Vers. 1 | 09.03.2022

Seite 1 / 1

Fasteners for KBS® Pipe Seal

KBS® Pipe Seal SN

KBS® Pipe Seal Typ	Pipe outside diameter (mm)	<u>Concrete Walls/Ceilings</u> <u>Steel dowels</u>	<u>Autoclaved aerated concrete Walls/ceilings</u> <u>Plastic dowel/</u> <u>Steel screw</u>	<u>Masonry walls</u> <u>(Brick, Sand-lime brick)</u> <u>Plastic dowel/steel screw</u>	<u>Lightweight partitions</u> <u>Panel seal</u> <u>Mixed penetration seal</u>
SN 75	32 - 75	Fischer FBN II 6/10 Fischer FMD 6x32 Hilti HSA M6x65 UPAT IMC 6/10/55 Würth W-MG 6x32	Fischer FMD 6x32 Fischer long-shaft dowel FUR 8x100SS / SXR 8x100 Fischer nail dowel N 8x100/60 F (50) Hilti HPD 6x30 Würth W-MG 6x32	Fischer FMD 6x32 Fischer long-shaft dowel FUR 8x100SS / SXR 8x100 Fischer nail dowel N 8x100/60 F (50) Hilti HUS 3-H 6x60/5/25 Würth W-MG 6x32	With continuous threaded rods M6 Corresponding nuts M6 and washers 6,5x20
SN 90 SN 110 SN 125 SN 140 SN 160	90 110 125 140 160	Fischer FAZ II 8/10 Fischer FMD 8x32/x60 Hilti HSA M8x85 UPAT IMC 8/20/81 Würth W-MG 8x60	Fischer FMD 8x32/x60 Fischer long-shaft dowel FUR 10x100SS / SXR 10x80 FUR / SXR 10x100T Fischer nail dowel N 10x100/50 S (50) Hilti HPD 8x20 MEA multifunctional dowel MFR SB 10-100 Tx MEA multifunctional dowel MFR SB 10-100 SSKS MEA multifunctional dowel MFR FB 10-100 SSKS Würth W-MG 8x60	Fischer FMD 8x32/x60 Fischer long-shaft dowel FUR 10x100SS / SXR 10x80 FUR / SXR 10x100T Fischer nail dowel N 10x100/50 S (50) MEA multifunctional dowel MFR SB 10-100 Tx MEA multifunctional dowel MFR SB 10-100 SSKS MEA multifunctional dowel MFR FB 10-100 SSKS Würth W-MG 8x60	With continuous threaded rods M8 corresponding nuts M8 and washers 8,5x25

This information and all further technical advice reflect our present knowledge and experience. The purpose is to inform interested parties about our products and their use and should not be construed as guaranteeing specific properties of products described or their suitability for a particular application, nor as providing complete instructions for use. The information implies no guarantee for product and shelf life properties, nor any liability or other legal responsibility on our part. Any existing third-party intellectual property rights, especially patent rights, must be taken into consideration. Application and usage of our products based on our technical advice are beyond our control and are the sole responsibility of the user. The user is not released from the obligation to conduct careful inspection and testing of incoming goods in order to verify the suitability for the intended application. For experimental products we do not guarantee for later commercial availability. Validly existing laws and provisions must be taken into consideration by the recipient of our products. In addition, the currently valid version of our general conditions of sale applies.

KBS® = registered Trademark of Wolman Wood and Fire Protection GmbH.